

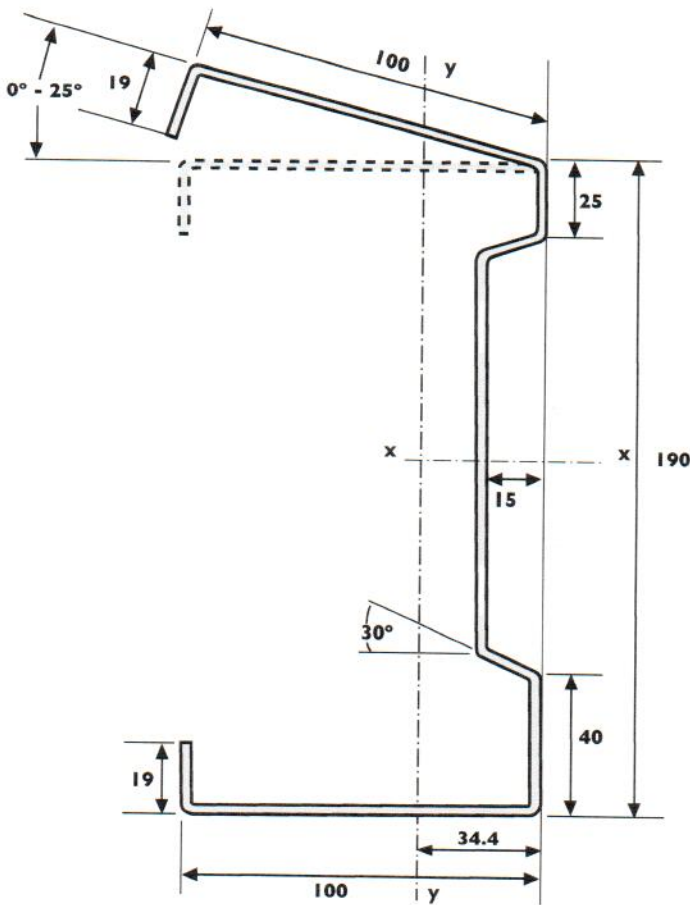
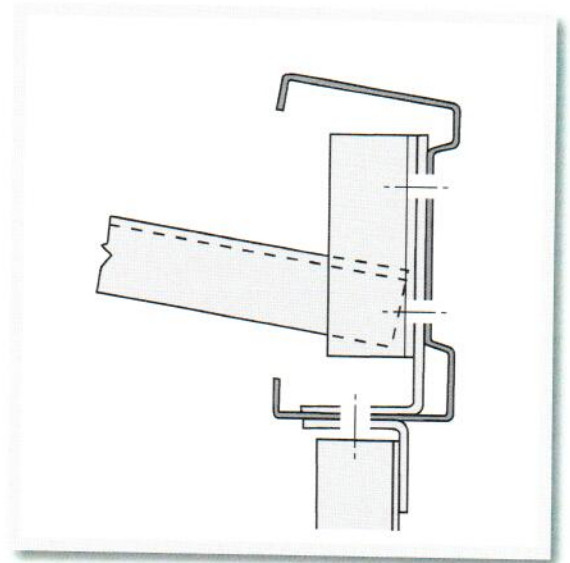
# Eaves Beam

Grade S450

Steel Sections Eaves Beam is a purpose-designed profile for use as an eaves purlin, top sheeting rail and gutter support. We offer 2 profiles for our eaves beams, a recessed profile available in 190mm x 2.0mm thick and a flat faced range in various depths and thicknesses.

## Recessed Eaves Beam

190mm deep x 2.0mm thick and has been designed to cater for spans up to 8m long, with an angled top flange from 0° to 25°.



<b>Section Ref:</b>	<b>EBI9020</b>
<b>Weight Kg/m</b>	6.66
<b>Second Moment of Area</b>	
Major Axis $I_{xx}$ cm <sup>4</sup>	512
Minor Axis $I_{yy}$ cm <sup>4</sup>	94.6
<b>Section Modulus</b>	
Major Axis $Z_{xx}$ cm <sup>3</sup>	54
Minor Axis $Z_{yy}$ cm <sup>3</sup>	14.5
<b>Radius of Gyration</b>	
Major Axis $R_{xx}$ cm	7.7
Minor Axis $R_{yy}$ cm	3.3
<b>Moment of Capacity</b>	
Major Axis $M_{cx}$ kNm	21.6
Minor Axis $M_{cy}$ kNm	5.8

